

MOS INTEGRATED CIRCUIT

μ PD42S18165, 4218165

16 M-BIT DYNAMIC RAM

1 M-WORD BY 16-BIT, HYPER PAGE MODE, BYTE READ/WRITE MODE

Description

The μ PD42S18165, 4218165 are 1,048,576 words by 16 bits CMOS dynamic RAMs with optional hyper page mode.

Hyper page mode is a kind of the page mode and is useful for the read operation.

Besides, the μ PD42S18165 can execute $\overline{\text{CAS}}$ before $\overline{\text{RAS}}$ self refresh.

The μ PD42S18165, 4218165 are packaged in 50-pin plastic TSOP (II) and 42-pin plastic SOJ.

Features

- Hyper page mode (EDO)
- 1,048,576 words by 16 bits organization
- Single +5.0 V \pm 10 % power supply

Part number	Power consumption Active (MAX.)	Access time (MAX.)	R/W cycle time (MIN.)	Hyper page mode cycle time (MIN.)
μ PD42S18165-60, 4218165-60	880 mW	60 ns	104 ns	25 ns
μ PD42S18165-70, 4218165-70	825 mW	70 ns	124 ns	30 ns

- The μ PD42S18165 can execute $\overline{\text{CAS}}$ before $\overline{\text{RAS}}$ self refresh

Part number	Refresh cycle	Refresh	Power consumption at standby (MAX.)
μ PD42S18165	1,024 cycles/128 ms	$\overline{\text{CAS}}$ before $\overline{\text{RAS}}$ self refresh, $\overline{\text{CAS}}$ before $\overline{\text{RAS}}$ refresh, $\overline{\text{RAS}}$ only refresh, Hidden refresh	1.4 mW (CMOS level input)
μ PD4218165	1,024 cycles/16 ms	$\overline{\text{CAS}}$ before $\overline{\text{RAS}}$ refresh, $\overline{\text{RAS}}$ only refresh, Hidden refresh	5.5 mW (CMOS level input)

The information in this document is subject to change without notice.

Ordering Information

Part number	Access time (MAX.)	Package	Refresh
μPD42S18165G5-60	60 ns	50-pin Plastic TSOP (II) (400 mil)	$\overline{\text{CAS}}$ before $\overline{\text{RAS}}$ self refresh $\overline{\text{CAS}}$ before $\overline{\text{RAS}}$ refresh $\overline{\text{RAS}}$ only refresh Hidden refresh
μPD42S18165G5-70	70 ns		
μPD42S18165LE-60	60 ns	42-pin Plastic SOJ (400 mil)	$\overline{\text{CAS}}$ before $\overline{\text{RAS}}$ refresh $\overline{\text{RAS}}$ only refresh Hidden refresh
μPD42S18165LE-70	70 ns		
μPD4218165G5-60	60 ns	50-pin Plastic TSOP (II) (400 mil)	$\overline{\text{CAS}}$ before $\overline{\text{RAS}}$ refresh $\overline{\text{RAS}}$ only refresh Hidden refresh
μPD4218165G5-70	70 ns		
μPD4218165LE-60	60 ns	42-pin Plastic SOJ (400 mil)	$\overline{\text{CAS}}$ before $\overline{\text{RAS}}$ refresh $\overline{\text{RAS}}$ only refresh Hidden refresh
μPD4218165LE-70	70 ns		

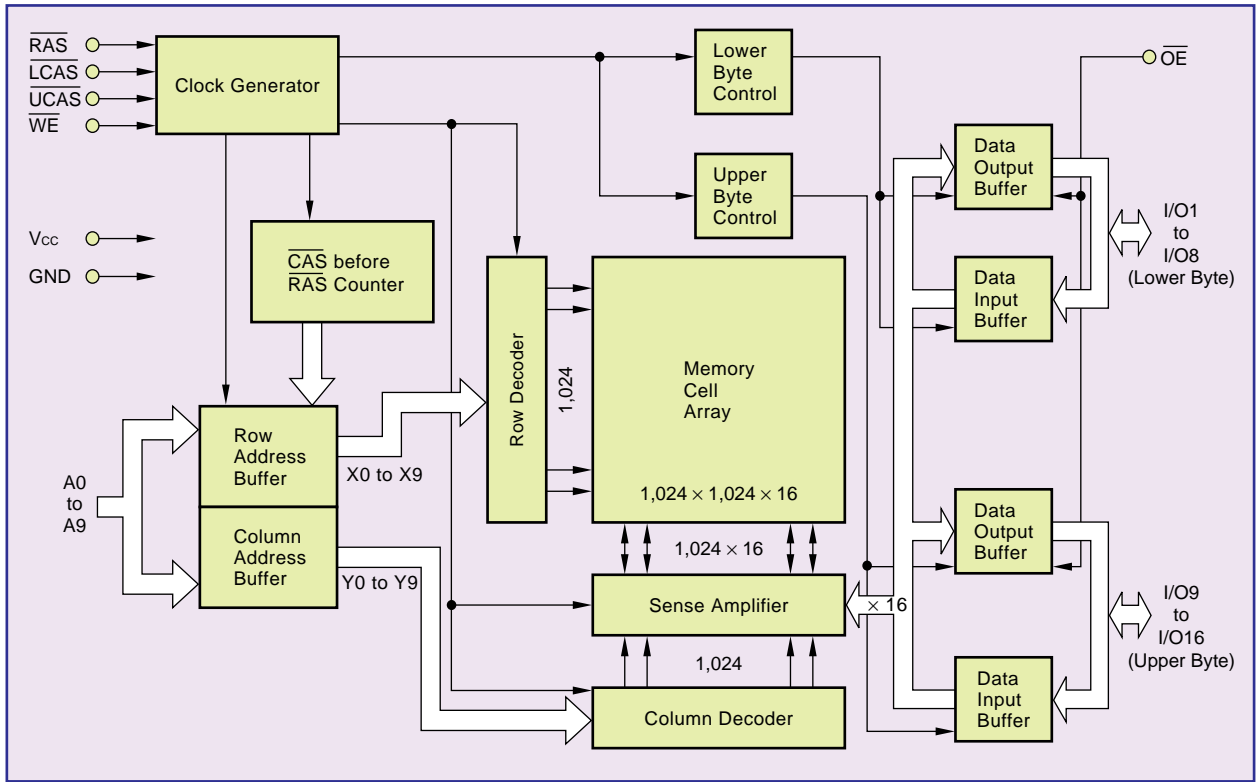
Pin Configurations (Marking Side)

50-pin Plastic TSOP (II) (400 mil)

42-pin Plastic SOJ (400 mil)

A0 to A9 : Address Inputs
I/O1 to I/O16 : Data Inputs/Outputs
 $\overline{\text{RAS}}$: Row Address Strobe
 $\overline{\text{UCAS}}$: Column Address Strobe (upper)
 $\overline{\text{LCAS}}$: Column Address Strobe (lower)
 $\overline{\text{WE}}$: Write Enable
 $\overline{\text{OE}}$: Output Enable
Vcc : Power Supply
GND : Ground
NC : No Connection

Block Diagram



Input/Output Pin Functions

The μPD42S18165, 4218165 have input pins \overline{RAS} , \overline{CAS} ^{Note}, \overline{WE} , \overline{OE} , A0 to A9 and input/output pins I/O1 to I/O16.

Pin name	Input/Output	Function
\overline{RAS} (Row address strobe)	Input	\overline{RAS} activates the sense amplifier by latching a row address and selecting a corresponding word line. It refreshes memory cell array of one line selected by the row address. It also selects the following function. <ul style="list-style-type: none"> • CAS before RAS refresh
\overline{CAS} (Column address strobe)		\overline{CAS} activates data input/output circuit by latching column address and selecting a digit line connected with the sense amplifier.
A0 to A9 (Address inputs)		Address bus. Input total 20-bit of address signal, upper 10-bit and lower 10-bit in sequence (address multiplex method). Therefore, one word is selected from 1,048,576-word by 16-bit memory cell array. In actual operation, latch row address by specifying row address and activating \overline{RAS} . Then, switch the address bus to column address and activate \overline{CAS} . Each address is taken into the device when \overline{RAS} and \overline{CAS} are activated. Therefore, the address input setup time (t_{ASR} , t_{ASC}) and hold time (t_{RAH} , t_{CAH}) are specified for the activation of \overline{RAS} and \overline{CAS} .
\overline{WE} (Write enable)		Write control signal. Write operation is executed by activating \overline{RAS} , \overline{CAS} and \overline{WE} .
\overline{OE} (Output enable)		Read control signal. Read operation can be executed by activating \overline{RAS} , \overline{CAS} and \overline{OE} . If \overline{WE} is activated during read operation, \overline{OE} is to be ineffective in the device. Therefore, read operation cannot be executed.
I/O1 to I/O16 (Data inputs/outputs)	Input/Output	16-bit data bus. I/O1 to I/O16 are used to input/output data.

Note \overline{CAS} means \overline{UCAS} and \overline{LCAS} .

Hyper Page Mode

The hyper page mode is a kind of page mode with enhanced features. The two major features of the hyper page mode are as follows.

1. Data output time is extended.

In the hyper page mode, the output data is held to the next $\overline{\text{CAS}}$ cycle's falling edge, instead of the rising edge. For this reason, valid data output time in the hyper page mode is extended compared with the fast page mode (= data extend function). In the fast page mode, the data output time becomes shorter as the $\overline{\text{CAS}}$ cycle time becomes shorter. Therefore, in the hyper page mode, the timing margin in read cycle is larger than that of the fast page mode even if the $\overline{\text{CAS}}$ cycle time becomes shorter.

2. The $\overline{\text{CAS}}$ cycle time in the hyper page mode is shorter than that in the fast page mode.

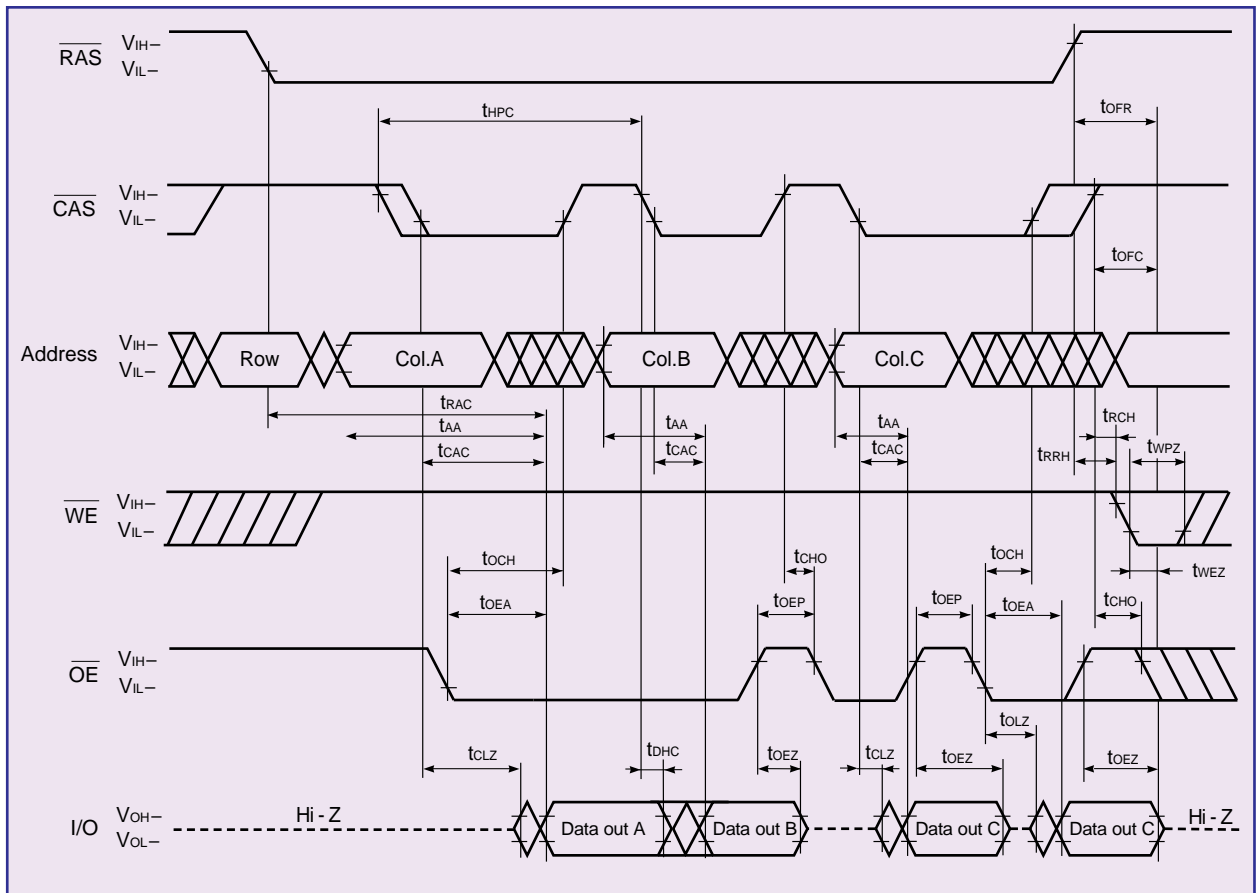
In the hyper page mode, due to the data extend function, the $\overline{\text{CAS}}$ cycle time can be shorter than in the fast page mode if the timing margin is the same.

Taking a device whose t_{RAC} is 60 ns as an example, the $\overline{\text{CAS}}$ cycle time in the fast page mode is 25 ns while that in the fast page mode is 40 ns.

In the hyper page mode, read (data out) and write (data in) cycles can be executed repeatedly during one $\overline{\text{RAS}}$ cycle. The hyper page mode allows both read and write operations during one cycle, but the performance is equivalent to that of the fast page mode in that case.

The following shows a part of the hyper page mode read cycle. Specifications to be observed are described in the next page.

Hyper Page Mode Read Cycle



Cautions when using the hyper page mode

1. $\overline{\text{CAS}}$ access should be used to operate t_{HPC} at the MIN. value.
2. To make I/Os to Hi-Z in read cycle, it is necessary to control $\overline{\text{RAS}}$, $\overline{\text{CAS}}$, $\overline{\text{WE}}$, $\overline{\text{OE}}$ as follows. The effective specification depends on the state of each signal.
 - (1) Both $\overline{\text{RAS}}$ and $\overline{\text{CAS}}$ are inactive (at the end of read cycle)
 $\overline{\text{WE}}$: inactive, $\overline{\text{OE}}$: active
 t_{OFC} is effective when $\overline{\text{RAS}}$ is inactivated before $\overline{\text{CAS}}$ is inactivated.
 t_{OFR} is effective when $\overline{\text{CAS}}$ is inactivated before $\overline{\text{RAS}}$ is inactivated.
 - (2) Both $\overline{\text{RAS}}$ and $\overline{\text{CAS}}$ are active or either $\overline{\text{RAS}}$ or $\overline{\text{CAS}}$ is active (in read cycle)
 $\overline{\text{WE}}$, $\overline{\text{OE}}$: inactive t_{OEZ} is effective.
 - (3) Both $\overline{\text{RAS}}$ and $\overline{\text{CAS}}$ are inactive or $\overline{\text{RAS}}$ is active and $\overline{\text{CAS}}$ is inactive (at the end of read cycle)
 $\overline{\text{WE}}$, $\overline{\text{OE}}$: active and either t_{RRH} or t_{RCH} must be met t_{WEZ} and t_{WPZ} are effective.
3. In read cycle, the effective specification depends on the state of $\overline{\text{CAS}}$ signal when controlling data output with the $\overline{\text{OE}}$ signal.
 - (1) $\overline{\text{CAS}}$: inactive, $\overline{\text{OE}}$: active t_{CHO} is effective.
 - (2) $\overline{\text{CAS}}$, $\overline{\text{OE}}$: active t_{OCH} is effective.

Electrical Specifications

- $\overline{\text{CAS}}$ means $\overline{\text{UCAS}}$ and $\overline{\text{LCAS}}$.
- All voltages are referenced to GND.
- After power up, wait more than 100 μs ($\overline{\text{RAS}}$, $\overline{\text{CAS}}$ inactive) and then, execute eight $\overline{\text{CAS}}$ before $\overline{\text{RAS}}$ or $\overline{\text{RAS}}$ only refresh cycles as dummy cycles to initialize internal circuit.

Absolute Maximum Ratings

Parameter	Symbol	Condition	Rating	Unit
Voltage on any pin relative to GND	V_T		-1.0 to +7.0	V
Supply voltage	V_{CC}		-1.0 to +7.0	V
Output current	I_O		50	mA
Power dissipation	P_D		1	W
Operating ambient temperature	T_A		0 to +70	°C
Storage temperature	T_{stg}		-55 to +125	°C

Caution Exposing the device to stress above those listed in Absolute Maximum Ratings could cause permanent damage. The device is not meant to be operated under conditions outside the limits described in the operational section of this specification. Exposure to Absolute Maximum Rating conditions for extended periods may affect device reliability.

Recommended Operating Conditions

Parameter	Symbol	Condition	MIN.	TYP.	MAX.	Unit
Supply voltage	V_{CC}		4.5	5.0	5.5	V
High level input voltage	V_{IH}		2.4		$V_{CC} + 1.0$	V
Low level input voltage	V_{IL}		-1.0		+0.8	V
Operating ambient temperature	T_A		0		70	°C

Capacitance ($T_A = 25\text{ °C}$, $f = 1\text{ MHz}$)

Parameter	Symbol	Test Condition	MIN.	TYP.	MAX.	Unit
Input capacitance	C_{I1}	Address			5	pF
	C_{I2}	$\overline{\text{RAS}}$, $\overline{\text{CAS}}$, $\overline{\text{WE}}$, $\overline{\text{OE}}$			7	
Data input/output capacitance	$C_{I/O}$	I/O			7	pF

DC Characteristics (Recommended operating conditions unless otherwise noted)

Parameter	Symbol	Test Condition	MIN.	MAX.	Unit	Notes
Operating current	I _{CC1}	$\overline{RAS}, \overline{CAS}$ Cycling $t_{RC} = t_{RC(MIN.)}, I_o = 0 \text{ mA}$			mA	1, 2, 3
			t _{RAC} = 60 ns	160		
			t _{RAC} = 70 ns	150		
Standby current	$\overline{RAS}, \overline{CAS} \geq V_{IH(MIN.)}, I_o = 0 \text{ mA}$ $\overline{RAS}, \overline{CAS} \geq V_{CC} - 0.2 \text{ V}, I_o = 0 \text{ mA}$ $\overline{RAS}, \overline{CAS} \geq V_{IH(MIN.)}, I_o = 0 \text{ mA}$ $\overline{RAS}, \overline{CAS} \geq V_{CC} - 0.2 \text{ V}, I_o = 0 \text{ mA}$		2.0	mA		
			0.25			
			2.0			
			1.0			
\overline{RAS} only refresh current	I _{CC3}	\overline{RAS} Cycling, $\overline{CAS} \geq V_{IH(MIN.)}$ $t_{RC} = t_{RC(MIN.)}, I_o = 0 \text{ mA}$			mA	1, 2, 3, 4
			t _{RAC} = 60 ns	160		
			t _{RAC} = 70 ns	150		
Operating current (Hyper page mode)	I _{CC4}	$\overline{RAS} \leq V_{IL(MAX.)}, \overline{CAS}$ Cycling $t_{HPC} = t_{HPC(MIN.)}, I_o = 0 \text{ mA}$			mA	1, 2, 5
			t _{RAC} = 60 ns	110		
			t _{RAC} = 70 ns	100		
\overline{CAS} before \overline{RAS} refresh current	I _{CC5}	\overline{RAS} Cycling $t_{RC} = t_{RC(MIN.)}, I_o = 0 \text{ mA}$	t _{RAC} = 50 ns	170	mA	1, 2
			t _{RAC} = 60 ns	160		
			t _{RAC} = 70 ns	150		
\overline{CAS} before \overline{RAS} long refresh current (1,024 cycles / 128 ms, only for the μPD42S18165)	I _{CC6}	\overline{CAS} before \overline{RAS} refresh : $t_{RC} = 125.0 \mu\text{s}$ $\overline{RAS}, \overline{CAS}$: $V_{CC} - 0.2 \text{ V} \leq V_{IH} \leq V_{IH(MAX.)}$ $0 \text{ V} \leq V_{IL} \leq 0.2 \text{ V}$ Standby: $\overline{RAS}, \overline{CAS} \geq V_{CC} - 0.2 \text{ V}$ Address: V_{IH} or V_{IL} $\overline{WE}, \overline{OE}: V_{IH}$ $I_o = 0 \text{ mA}$	t _{RAS} ≤ 300 ns	350	μA	1, 2
			t _{RAS} ≤ 1 μs	400		
\overline{CAS} before \overline{RAS} self refresh current (only for the μPD42S18165)	I _{CC7}	$\overline{RAS}, \overline{CAS}$: $t_{RASS} = 5 \text{ ms}$ $V_{CC} - 0.2 \text{ V} \leq V_{IH} \leq V_{IH(MAX.)}$ $0 \text{ V} \leq V_{IL} \leq 0.2 \text{ V}$ $I_o = 0 \text{ mA}$		250	μA	2
Input leakage current	I _{I(L)}	$V_i = 0 \text{ to } 5.5 \text{ V}$ All other pins not under test = 0 V	-10	+10	μA	
Output leakage current	I _{O(L)}	$V_o = 0 \text{ to } 5.5 \text{ V}$ Output is disabled (Hi-Z)	-10	+10	μA	
High level output voltage	V _{OH}	I _o = -2.5 mA	2.4		V	
Low level output voltage	V _{OL}	I _o = +2.1 mA		0.4	V	

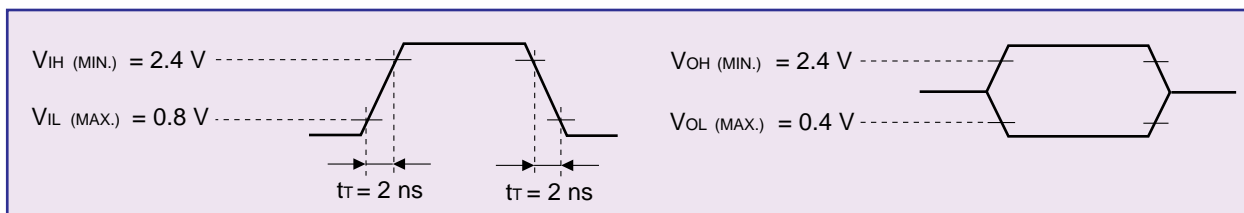
- Notes 1.** I_{CC1}, I_{CC3}, I_{CC4}, I_{CC5} and I_{CC6} depend on cycle rates (t_{RC} and t_{HPC}).
- 2.** Specified values are obtained with outputs unloaded.
- 3.** I_{CC1} and I_{CC3} are measured assuming that address can be changed once or less during $\overline{RAS} \leq V_{IL(MAX.)}$ and $\overline{CAS} \geq V_{IH(MIN.)}$.
- 4.** I_{CC3} is measured assuming that all column address inputs are held at either high or low.
- 5.** I_{CC4} is measured assuming that all column address inputs are switched only once during each hyper page cycle.

AC Characteristics (Recommended Operating Conditions unless otherwise noted)

AC Characteristics Test Conditions

(1) Input timing specification

(2) Output timing specification



(3) Loading conditions are 100 pF + 1 TTL.

Common to Read, Write, Read Modify Write Cycle

Parameter	Symbol	t _{RAC} = 60 ns		t _{RAC} = 70 ns		Unit	Notes	
		MIN.	MAX.	MIN.	MAX.			
Read / Write Cycle Time	t _{RC}	104	—	124	—	ns		
RAS Precharge Time	t _{RP}	40	—	50	—	ns		
CAS Precharge Time	t _{CPN}	10	—	10	—	ns		
RAS Pulse Width	t _{RAS}	60	10,000	70	10,000	ns		
CAS Pulse Width	t _{CAS}	10	10,000	12	10,000	ns		
RAS Hold Time	t _{RSH}	10	—	12	—	ns		
CAS Hold Time	t _{CSH}	40	—	50	—	ns		
RAS to CAS Delay Time	t _{RCd}	14	45	14	52	ns	1	
RAS to Column Address Delay Time	t _{RAD}	12	30	12	35	ns	1	
CAS to RAS Precharge Time	t _{CRP}	5	—	5	—	ns	2	
Row Address Setup Time	t _{ASR}	0	—	0	—	ns		
Row Address Hold Time	t _{RAH}	10	—	10	—	ns		
Column Address Setup Time	t _{ASC}	0	—	0	—	ns		
Column Address Hold Time	t _{CAH}	10	—	12	—	ns		
OE Lead Time Referenced to RAS	t _{OES}	0	—	0	—	ns		
CAS to Data Setup Time	t _{CLZ}	0	—	0	—	ns		
OE to Data Setup Time	t _{OLZ}	0	—	0	—	ns		
OE to Data Delay Time	t _{OED}	13	—	15	—	ns		
Masked Byte Write Hold Time Referenced to RAS	t _{MRH}	0	—	0	—	ns		
Transition Time (Rise and Fall)	t _r	1	50	1	50	ns		
Refresh Time	μPD42S18165	t _{REF}	—	128	—	128	ms	3
	μPD4218165	t _{REF}	—	16	—	16	ms	

Notes 1. For read cycles, access time is defined as follows:

Input Conditions	Access Time	Access Time from RAS
$t_{RAD} \leq t_{RAD (MAX.)}$ and $t_{RCD} \leq t_{RCD (MAX.)}$	$t_{RAC (MAX.)}$	$t_{RAC (MAX.)}$
$t_{RAD} > t_{RAD (MAX.)}$ and $t_{RCD} \leq t_{RCD (MAX.)}$	$t_{AA (MAX.)}$	$t_{RAD} + t_{AA (MAX.)}$
$t_{RCD} > t_{RCD (MAX.)}$	$t_{CAC (MAX.)}$	$t_{RCD} + t_{CAC (MAX.)}$

$t_{RAD (MAX.)}$ and $t_{RCD (MAX.)}$ are specified as reference points only; they are not restrictive operating parameters. They are used to determine which access time (t_{RAC} , t_{AA} or t_{CAC}) is to be used for finding out when output data will be available. Therefore, the input conditions $t_{RAD} \geq t_{RAD (MAX.)}$ and $t_{RCD} \geq t_{RCD (MAX.)}$ will not cause any operation problems.

- $t_{CRP (MIN.)}$ requirement is applied to \overline{RAS} , \overline{CAS} cycles preceded by any cycle.
- This specification is applied only to the μPD42S18165.

Read Cycle

Parameter	Symbol	$t_{RAC} = 60 \text{ ns}$		$t_{RAC} = 70 \text{ ns}$		Unit	Notes
		MIN.	MAX.	MIN.	MAX.		
Access Time from \overline{RAS}	t_{RAC}	–	60	–	70	ns	1
Access Time from \overline{CAS}	t_{CAC}	–	15	–	18	ns	1
Access Time from Column Address	t_{AA}	–	30	–	35	ns	1
Access Time from \overline{OE}	t_{OEA}	–	15	–	18	ns	
Column Address Lead Time Referenced to \overline{RAS}	t_{RAL}	30	–	35	–	ns	
Read Command Setup Time	t_{RCS}	0	–	0	–	ns	
Read Command Hold Time Referenced to \overline{RAS}	t_{RRH}	0	–	0	–	ns	2
Read Command Hold Time Referenced to \overline{CAS}	t_{RCH}	0	–	0	–	ns	2
Output Buffer Turn-off Delay Time from \overline{OE}	t_{OEZ}	0	13	0	15	ns	3
\overline{CAS} Hold Time to \overline{OE}	t_{CHO}	5	–	5	–	ns	

Notes 1. For read cycles, access time is defined as follows:

Input Conditions	Access Time	Access Time from RAS
$t_{RAD} \leq t_{RAD (MAX.)}$ and $t_{RCD} \leq t_{RCD (MAX.)}$	$t_{RAC (MAX.)}$	$t_{RAC (MAX.)}$
$t_{RAD} > t_{RAD (MAX.)}$ and $t_{RCD} \leq t_{RCD (MAX.)}$	$t_{AA (MAX.)}$	$t_{RAD} + t_{AA (MAX.)}$
$t_{RCD} > t_{RCD (MAX.)}$	$t_{CAC (MAX.)}$	$t_{RCD} + t_{CAC (MAX.)}$

$t_{RAD (MAX.)}$ and $t_{RCD (MAX.)}$ are specified as reference points only; they are not restrictive operating parameters. They are used to determine which access time (t_{RAC} , t_{AA} or t_{CAC}) is to be used for finding out when output data will be available. Therefore, the input conditions $t_{RAD} \geq t_{RAD (MAX.)}$ and $t_{RCD} \geq t_{RCD (MAX.)}$ will not cause any operation problems.

- Either $t_{RCH (MIN.)}$ or $t_{RRH (MIN.)}$ should be met in read cycles.
- $t_{OEZ (MAX.)}$ defines the time when the output achieves the condition of Hi-Z and is not referenced to V_{OH} or V_{OL} .

Write Cycle

Parameter	Symbol	t _{RAC} = 60 ns		t _{RAC} = 70 ns		Unit	Notes
		MIN.	MAX.	MIN.	MAX.		
\overline{WE} Hold Time Referenced to \overline{CAS}	t _{WCH}	10	–	10	–	ns	1
\overline{WE} Pulse Width	t _{WP}	10	–	10	–	ns	1
\overline{WE} Lead Time Referenced to \overline{RAS}	t _{RWL}	10	–	12	–	ns	
\overline{WE} Lead Time Referenced to \overline{CAS}	t _{CWL}	10	–	12	–	ns	
\overline{WE} Setup Time	t _{WCS}	0	–	0	–	ns	2
\overline{OE} Hold Time	t _{OEH}	0	–	0	–	ns	
Data-in Setup Time	t _{DS}	0	–	0	–	ns	3
Data-in Hold Time	t _{DH}	10	–	10	–	ns	3

- Notes**
1. t_{WP} (MIN.) is applied to late write cycles or read modify write cycles. In early write cycles, t_{WCH} (MIN.) should be met.
 2. If t_{WCS} ≥ t_{WCS} (MIN.), the cycle is an early write cycle and the data out will remain Hi-Z through the entire cycle.
 3. t_{DS} (MIN.) and t_{DH} (MIN.) are referenced to the \overline{CAS} falling edge in early write cycles. In late write cycles and read modify write cycles, they are referenced to the \overline{WE} falling edge.

Read Modify Write Cycle

Parameter	Symbol	t _{RAC} = 60 ns		t _{RAC} = 70 ns		Unit	Note
		MIN.	MAX.	MIN.	MAX.		
Read Modify Write Cycle Time	t _{RWC}	133	–	157	–	ns	
\overline{RAS} to \overline{WE} Delay Time	t _{RWD}	77	–	89	–	ns	1
\overline{CAS} to \overline{WE} Delay Time	t _{CWD}	32	–	37	–	ns	1
Column Address to \overline{WE} Delay Time	t _{AWD}	47	–	54	–	ns	1

- Note**
1. If t_{WCS} ≥ t_{WCS} (MIN.), the cycle is an early write cycle and the data out will remain Hi-Z through the entire cycle. If t_{RWD} ≥ t_{RWD} (MIN.), t_{CWD} ≥ t_{CWD} (MIN.), t_{AWD} ≥ t_{AWD} (MIN.) and t_{CPWD} ≥ t_{CPWD} (MIN.), the cycle is a read modify write cycle and the data out will contain data read from the selected cell. If neither of the above conditions is met, the state of the data out is indeterminate.

Hyper Page Mode

Parameter	Symbol	t _{RAC} = 60 ns		t _{RAC} = 70 ns		Unit	Notes
		MIN.	MAX.	MIN.	MAX.		
Read / Write Cycle Time	t _{HPC}	25	–	30	–	ns	1
$\overline{\text{RAS}}$ Pulse Width	t _{RASP}	60	125,000	70	125,000	ns	
$\overline{\text{CAS}}$ Pulse Width	t _{H_{CAS}}	10	10,000	12	10,000	ns	
$\overline{\text{CAS}}$ Precharge Time	t _{CP}	10	–	10	–	ns	
Access Time from $\overline{\text{CAS}}$ Precharge	t _{ACP}	–	35	–	40	ns	
$\overline{\text{CAS}}$ Precharge to $\overline{\text{WE}}$ Delay Time	t _{CPWD}	52	–	59	–	ns	2
RAS Hold Time from $\overline{\text{CAS}}$ Precharge	t _{RHCP}	35	–	40	–	ns	
Read Modify Write Cycle Time	t _{HPRWC}	66	–	75	–	ns	
Data Output Hold Time	t _{DHC}	5	–	5	–	ns	
$\overline{\text{OE}}$ to $\overline{\text{CAS}}$ Hold Time	t _{OCH}	5	–	5	–	ns	4
$\overline{\text{OE}}$ Precharge Time	t _{OEP}	5	–	5	–	ns	
Output Buffer Turn-off Delay from $\overline{\text{WE}}$	t _{WEZ}	0	13	0	15	ns	3,4
$\overline{\text{WE}}$ Pulse Width	t _{WPZ}	10	–	10	–	ns	4
Output Buffer Turn-off delay from $\overline{\text{RAS}}$	t _{OF_R}	0	13	0	15	ns	3,4
Output Buffer Turn-off delay from $\overline{\text{CAS}}$	t _{OF_C}	0	13	0	15	ns	3,4

Notes 1. t_{HPC} (MIN.) is applied to $\overline{\text{CAS}}$ access.

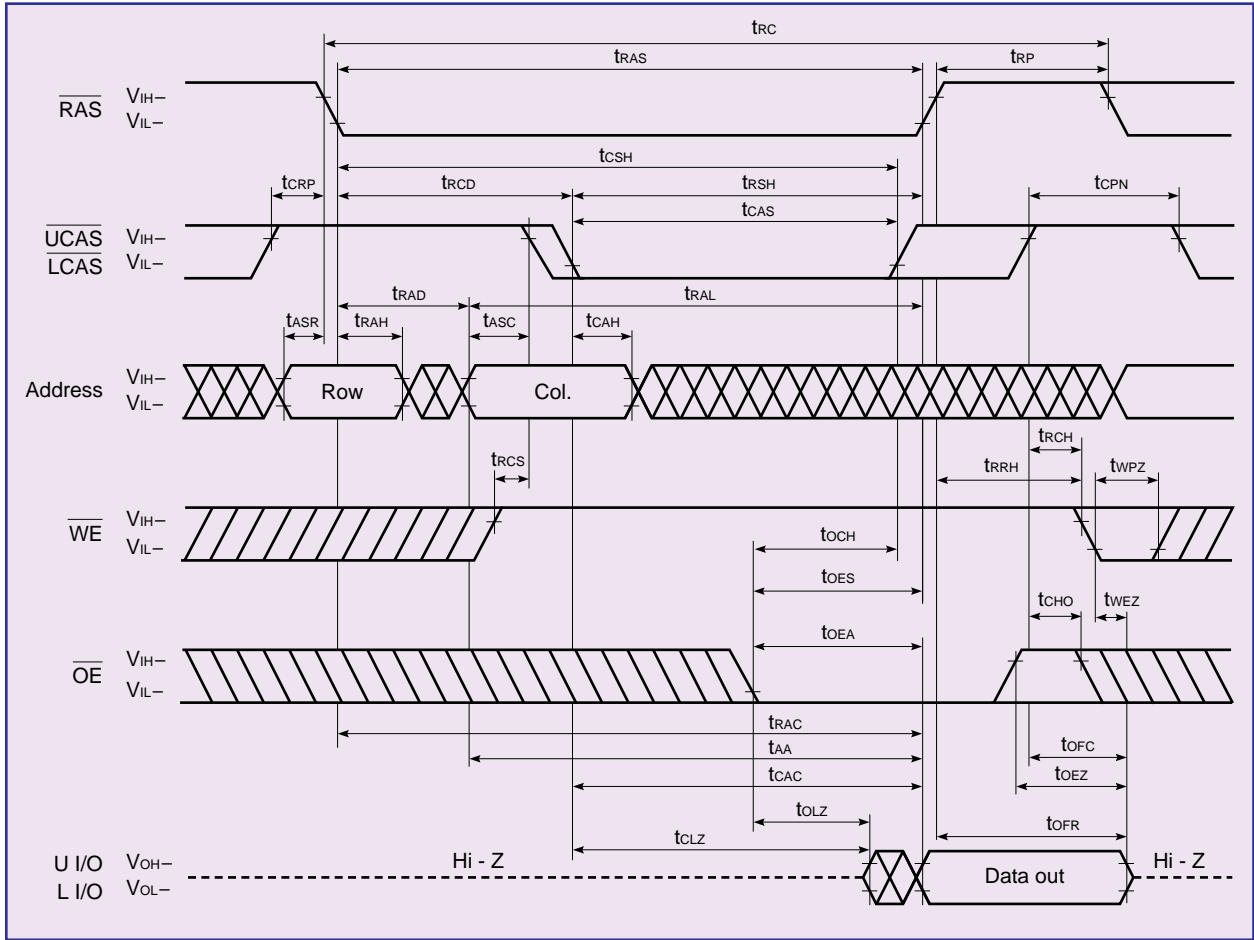
2. If t_{WCS} ≥ t_{WCS} (MIN.), the cycle is an early write cycle and the data out will remain Hi-Z through the entire cycle. If t_{TRWD} ≥ t_{TRWD} (MIN.), t_{CPWD} ≥ t_{CPWD} (MIN.), t_{AWD} ≥ t_{AWD} (MIN.) and t_{CPWD} ≥ t_{CPWD} (MIN.), the cycle is a read modify write cycle and the data out will contain data read from the selected cell. If neither of the above conditions is met, the state of the data out is indeterminate.
3. t_{OF_C} (MAX.), t_{OF_R} (MAX.) and t_{WEZ} (MAX.) define the time when the output achieves the conditions of Hi-Z and is not referenced to V_{OH} or V_{OL}.
4. To make I/Os to Hi-Z in read cycle, it is necessary to control $\overline{\text{RAS}}$, $\overline{\text{CAS}}$, $\overline{\text{WE}}$, $\overline{\text{OE}}$ as follows. The effective specification depends on state of each signal.
 - (1) Both $\overline{\text{RAS}}$ and $\overline{\text{CAS}}$ are inactive (at the end of the read cycle)
 $\overline{\text{WE}}$: inactive, $\overline{\text{OE}}$: active
 t_{OF_C} is effective when $\overline{\text{RAS}}$ is inactivated before $\overline{\text{CAS}}$ is inactivated.
 t_{OF_R} is effective when $\overline{\text{CAS}}$ is inactivated before $\overline{\text{RAS}}$ is inactivated.
 - (2) Both $\overline{\text{RAS}}$ and $\overline{\text{CAS}}$ are active or either $\overline{\text{RAS}}$ or $\overline{\text{CAS}}$ is active (in read cycle)
 $\overline{\text{WE}}$, $\overline{\text{OE}}$: inactive t_{OEZ} is effective.
 - (3) Both $\overline{\text{RAS}}$ and $\overline{\text{CAS}}$ are inactive or $\overline{\text{RAS}}$ is active and $\overline{\text{CAS}}$ is inactive (at the end of read cycle)
 $\overline{\text{WE}}$, $\overline{\text{OE}}$: active and either t_{TRH} or t_{TRCH} must be met t_{WEZ} and t_{WPZ} are effective.
 - (4) $\overline{\text{WE}}$: inactive (in read cycle)
 $\overline{\text{CAS}}$: inactive, $\overline{\text{OE}}$: active t_{CHO} is effective.
 $\overline{\text{CAS}}$, $\overline{\text{OE}}$: active t_{OCH} is effective.

Refresh Cycle

Parameter	Symbol	t _{RAC} = 60 ns		t _{RAC} = 70 ns		Unit	Note
		MIN.	MAX.	MIN.	MAX.		
$\overline{\text{CAS}}$ Setup Time	t _{CSR}	5	–	5	–	ns	
$\overline{\text{CAS}}$ Hold Time ($\overline{\text{CAS}}$ before $\overline{\text{RAS}}$ Refresh)	t _{CHR}	10	–	10	–	ns	
$\overline{\text{RAS}}$ Precharge $\overline{\text{CAS}}$ Hold Time	t _{RPC}	5	–	5	–	ns	
$\overline{\text{RAS}}$ Pulse Width ($\overline{\text{CAS}}$ before $\overline{\text{RAS}}$ Self Refresh)	t _{RASS}	100	–	100	–	μs	1
$\overline{\text{RAS}}$ Precharge Time ($\overline{\text{CAS}}$ before $\overline{\text{RAS}}$ Self Refresh)	t _{RPS}	110	–	130	–	ns	1
$\overline{\text{CAS}}$ Hold Time ($\overline{\text{CAS}}$ before $\overline{\text{RAS}}$ Self Refresh)	t _{CHS}	–50	–	–50	–	ns	1
$\overline{\text{WE}}$ Hold Time	t _{WHR}	15	–	15	–	ns	

Note 1. This specification is applied only to the μPD42S18165.

Read Cycle



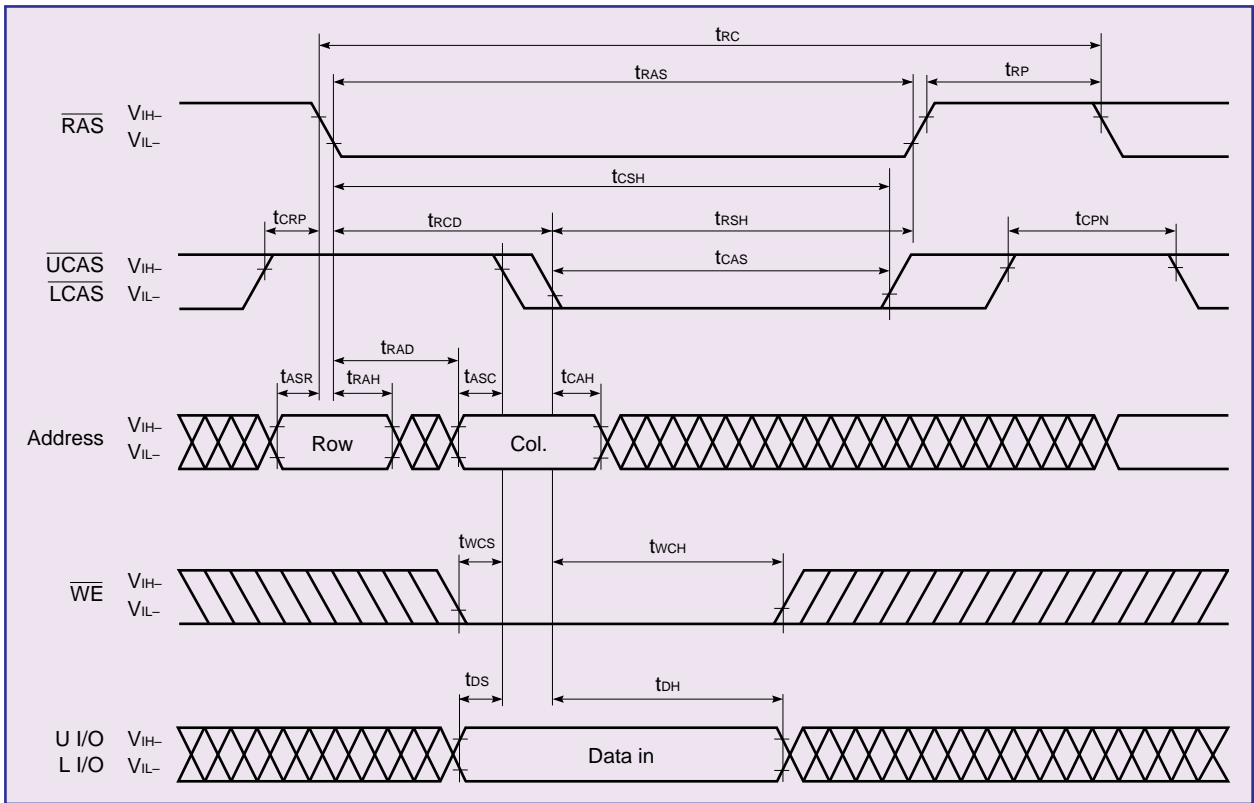
Upper Byte Read Cycle

Remark L I/O: Hi-Z

Lower Byte Read Cycle

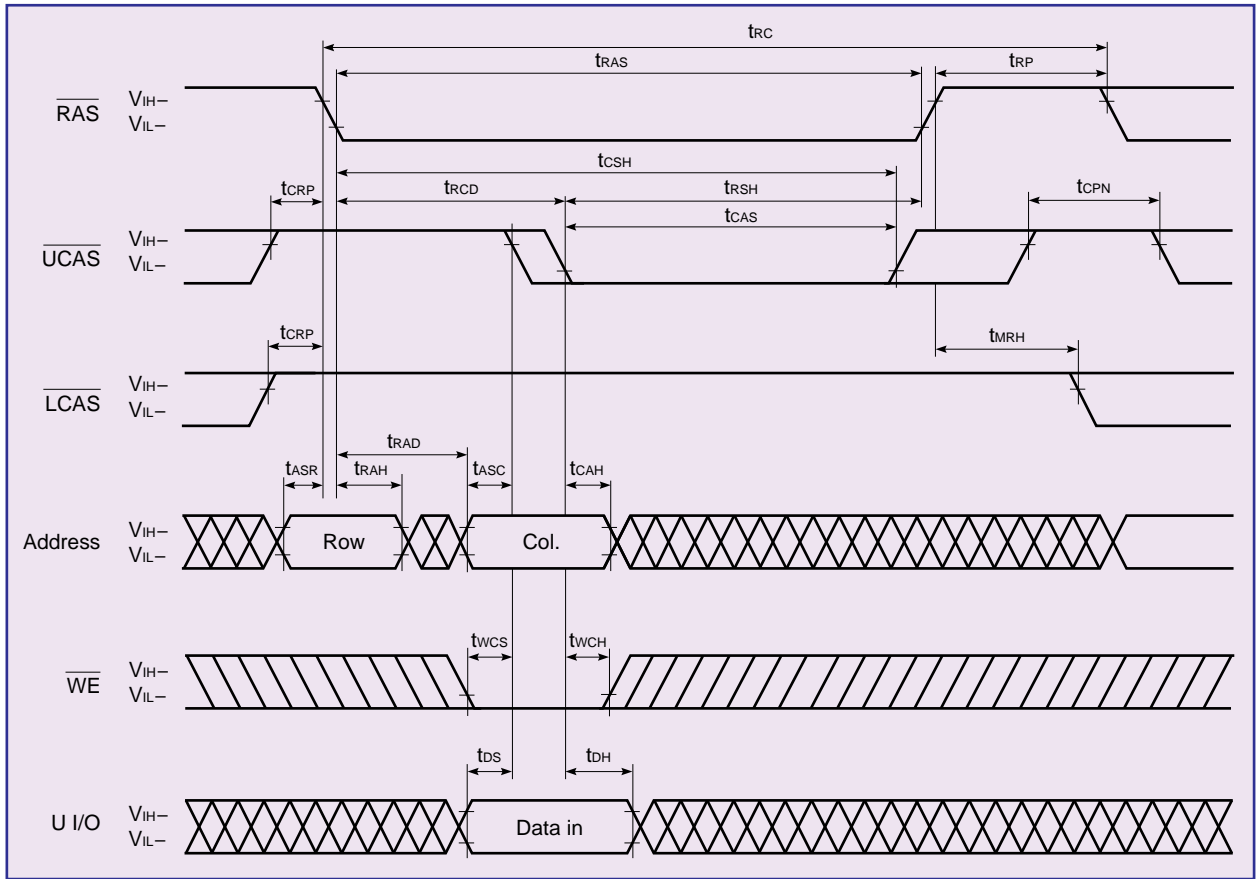
Remark U I/O: Hi-Z

Early Write Cycle



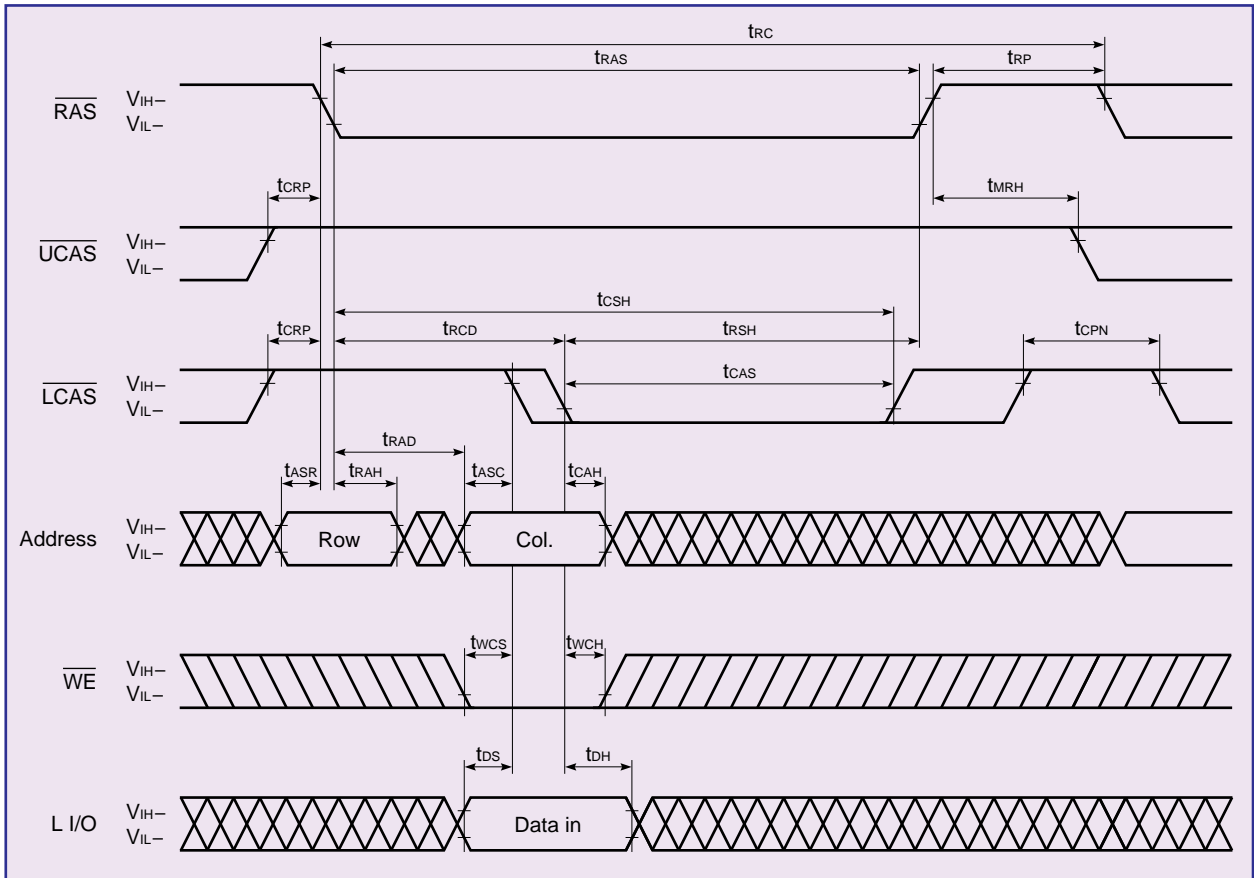
Remark \overline{OE} : Don't care

Upper Byte Early Write Cycle



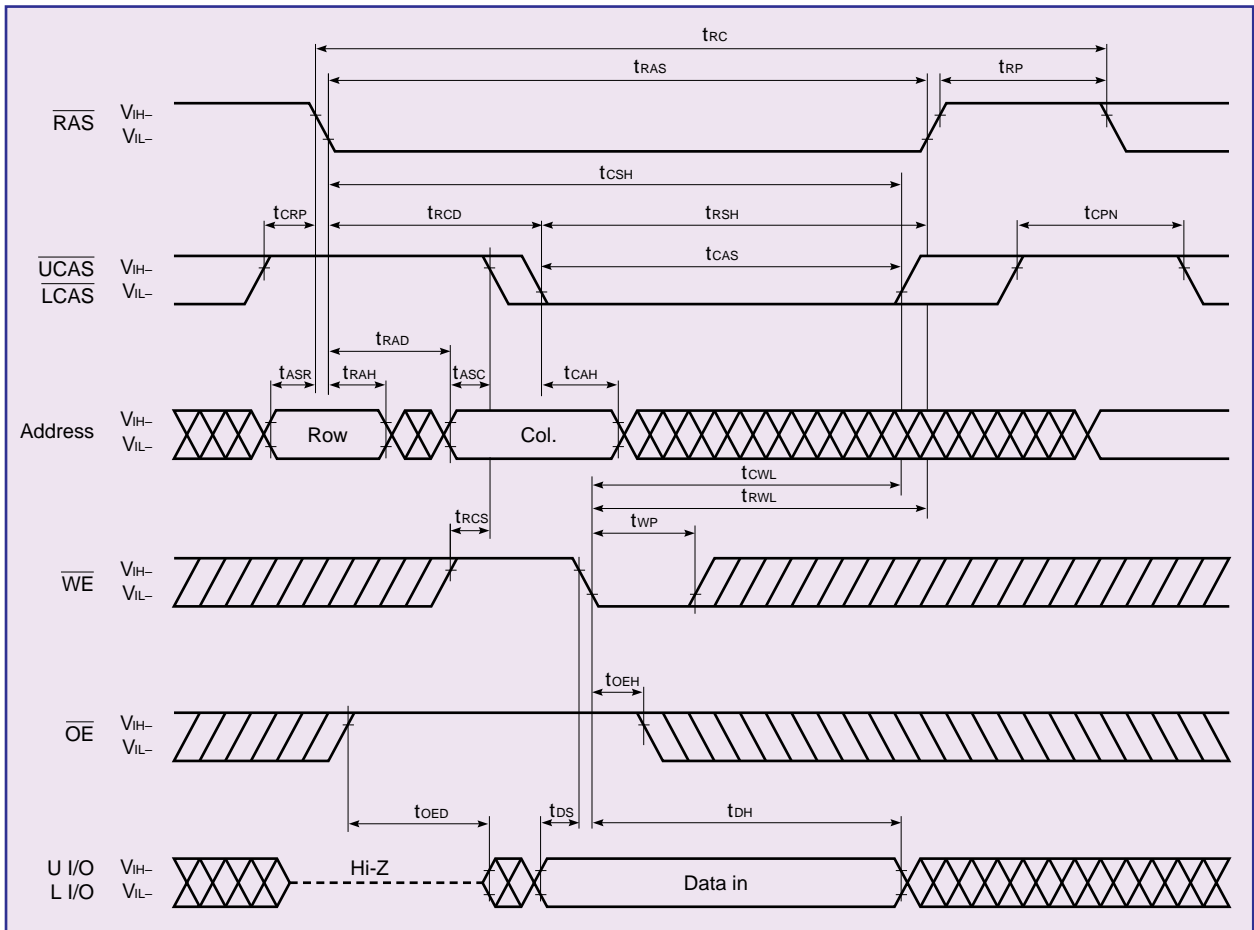
Remark \overline{OE} , L I/O: Don't care

Lower Byte Early Write Cycle

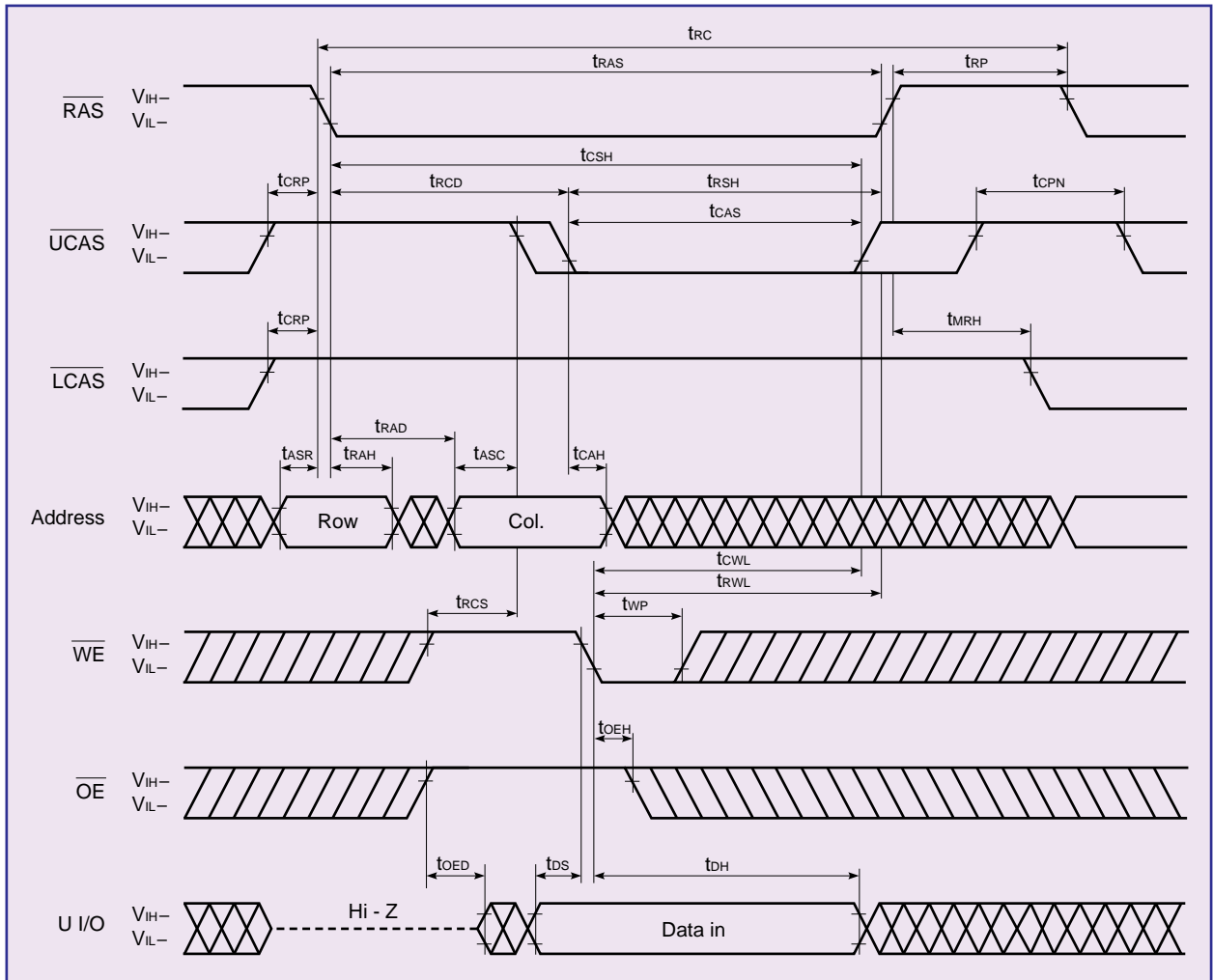


Remark \overline{OE} , U I/O: Don't care

Late Write Cycle

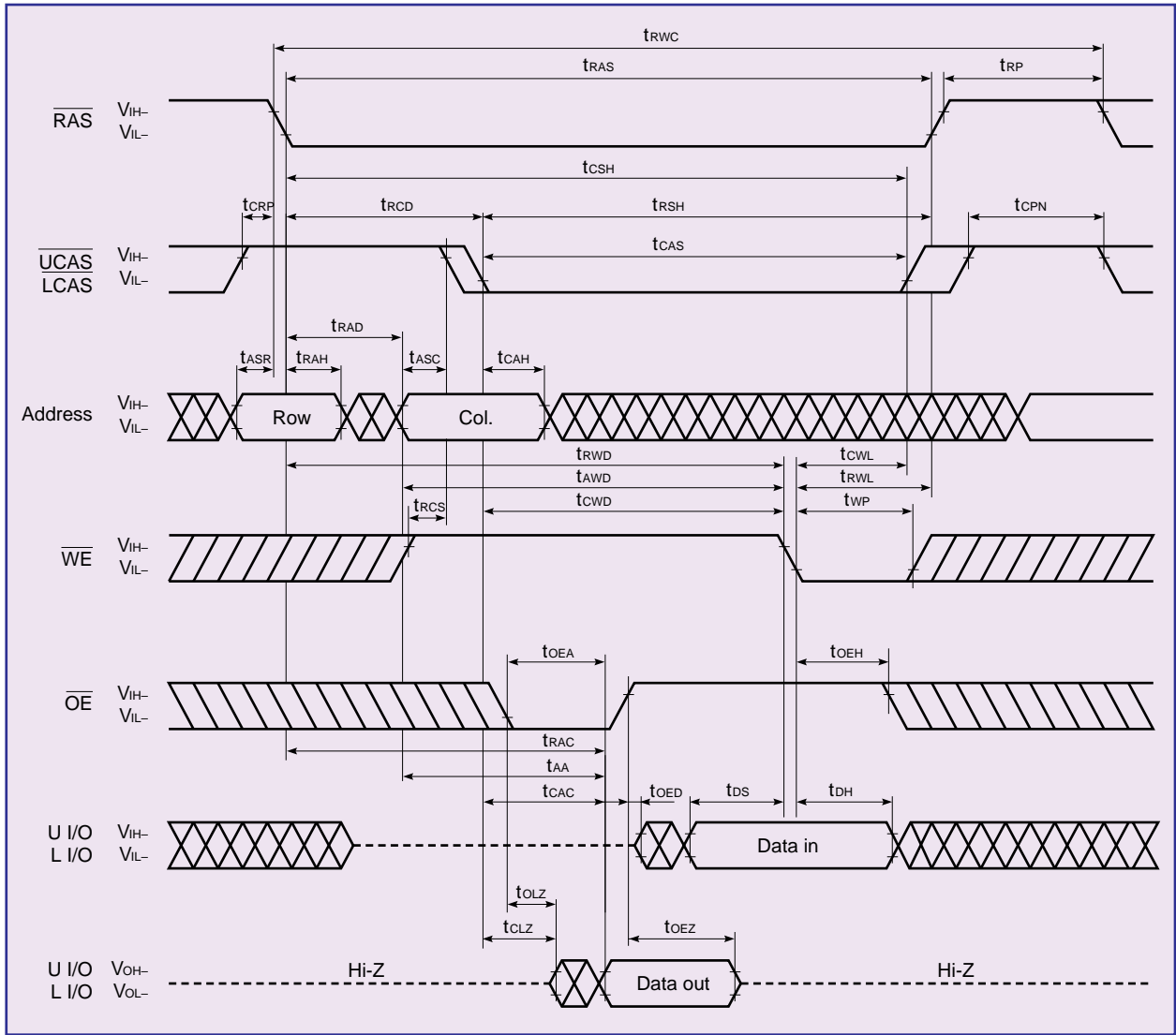


Upper Byte Late Write Cycle



Remark L I/O: Don't care

Read Modify Write Cycle



Upper Byte Read Modify Write Cycle

Remark In this cycle, the input data to Lower I/O is ineffective. The data out of that remains Hi-Z.

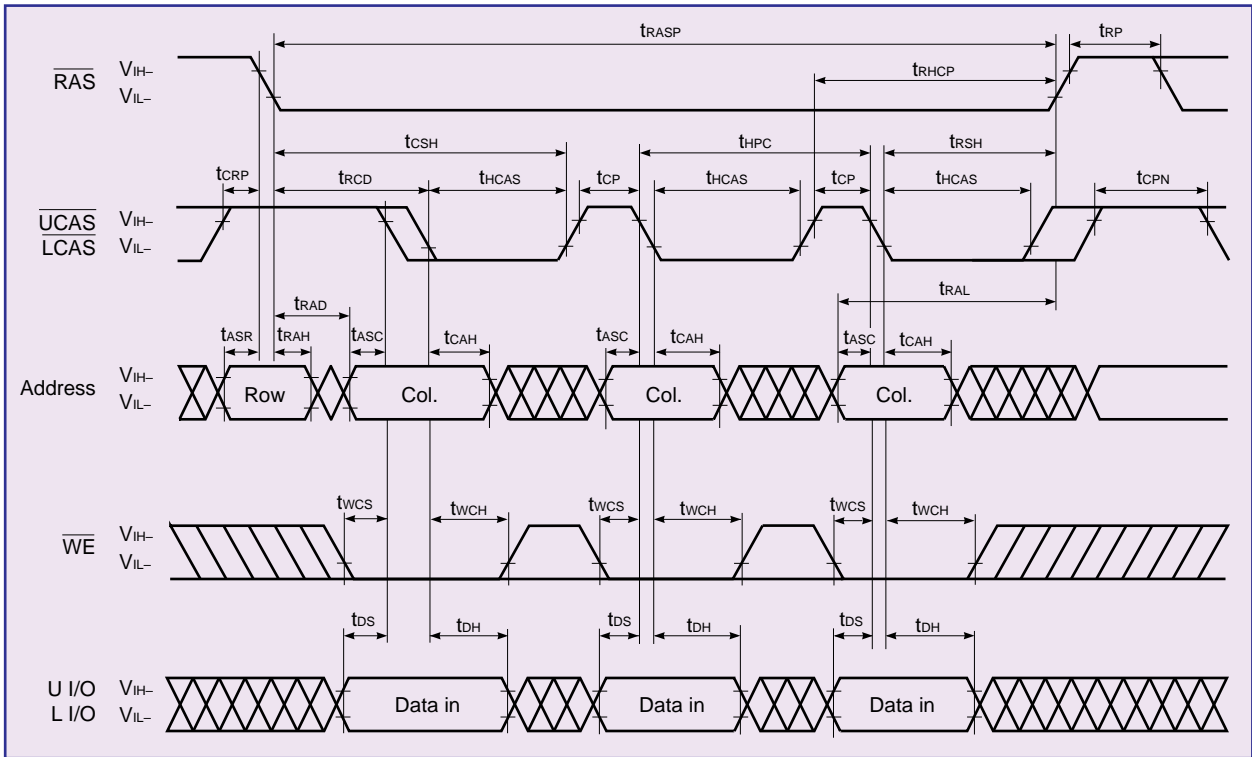
Lower Byte Read Modify Write Cycle

Remark In this cycle, the input data to Upper I/O is ineffective. The data out of that remains Hi-Z.

Hyper Page Mode Byte Read Cycle

- Remark 1.** In the hyper page mode, read, write and read modify write cycles are available for each of the consecutive $\overline{\text{CAS}}$ cycles within the same $\overline{\text{RAS}}$ cycle.
- 2.** This cycle can be used to control either $\overline{\text{UCAS}}$ or $\overline{\text{LCAS}}$ only. Or, it can be used to control $\overline{\text{UCAS}}$ or $\overline{\text{LCAS}}$ simultaneously, or at random.

Hyper Page Mode Early Write Cycle



- Remarks 1.** \overline{OE} : Don't care
- 2.** In the hyper page mode, read, write and read modify write cycles are available for each of the consecutive \overline{CAS} cycles within the same \overline{RAS} cycle.

Hyper Page Mode Byte Late Write Cycle

- Remarks 1.** In the hyper page mode, read, write and read modify write cycles are available for each of the consecutive $\overline{\text{CAS}}$ cycles within the same $\overline{\text{RAS}}$ cycle.
- 2.** This cycle can be used to control either $\overline{\text{UCAS}}$ or $\overline{\text{LCAS}}$ only. Or, it can be used to control $\overline{\text{UCAS}}$ or $\overline{\text{LCAS}}$ simultaneously, or at random.

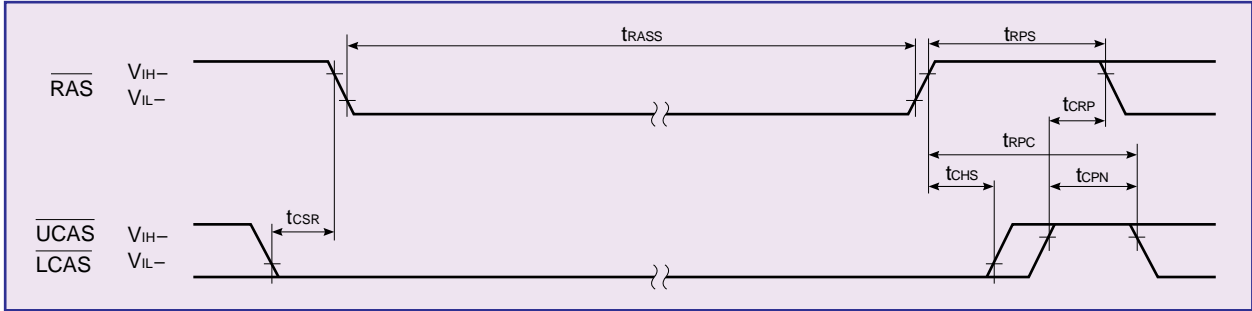
Hyper Page Mode Read Modify Write Cycle

Remark In the hyper page mode, read, write and read modify write cycles are available for each of the consecutive $\overline{\text{CAS}}$ cycles within the same $\overline{\text{RAS}}$ cycle.

Hyper Page Mode Byte Read Modify Write Cycle

- Remarks 1.** In the hyper page mode, read, write and read modify write cycles are available for each of the consecutive $\overline{\text{CAS}}$ cycles within the same $\overline{\text{RAS}}$ cycle.
- 2.** This cycle can be used to control either $\overline{\text{UCAS}}$ or $\overline{\text{LCAS}}$ only. Or, it can be used to control $\overline{\text{UCAS}}$ or $\overline{\text{LCAS}}$ simultaneously, or at random.

CAS Before RAS Self Refresh Cycle (Only for the μPD42S18165)



Remark Address, \overline{WE} , \overline{OE} : Don't care L I/O, U I/O: Hi-Z

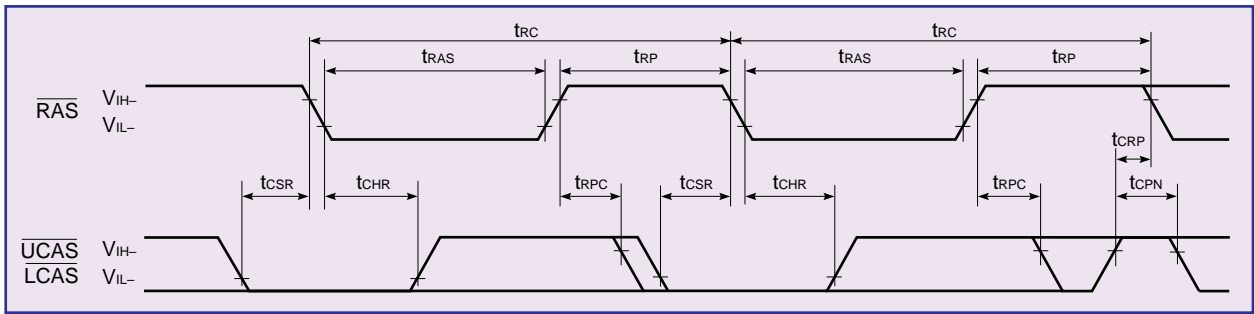
Cautions on Use of CAS Before RAS Self Refresh

CAS before RAS self refresh can be used independently when used in combination with distributed CAS before RAS long refresh; However, when used in combination with burst CAS before RAS long refresh or with long RAS only refresh (both distributed and burst), the following cautions must be observed.

- (1) **Normal Combined Use of CAS Before RAS Self Refresh and Burst CAS Before RAS Long Refresh**
 When CAS before RAS self refresh and burst CAS before RAS long refresh are used in combination, please perform CAS before RAS refresh 1,024 times within a 16 ms interval just before and after setting CAS before RAS self refresh.
- (2) **Normal Combined Use of CAS Before RAS Self Refresh and Long RAS Only Refresh**
 When CAS before RAS self refresh and RAS only refresh are used in combination, please perform RAS only refresh 1,024 times within a 16 ms interval just before and after setting CAS before RAS self refresh.

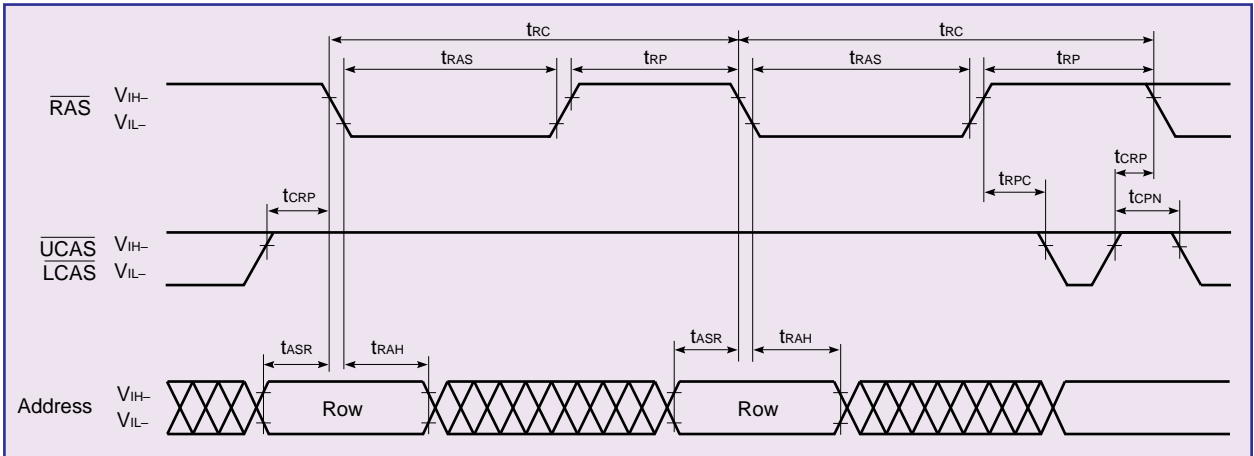
For details, please refer to [How to use DRAM User's Manual](#).

CAS Before RAS Refresh Cycle



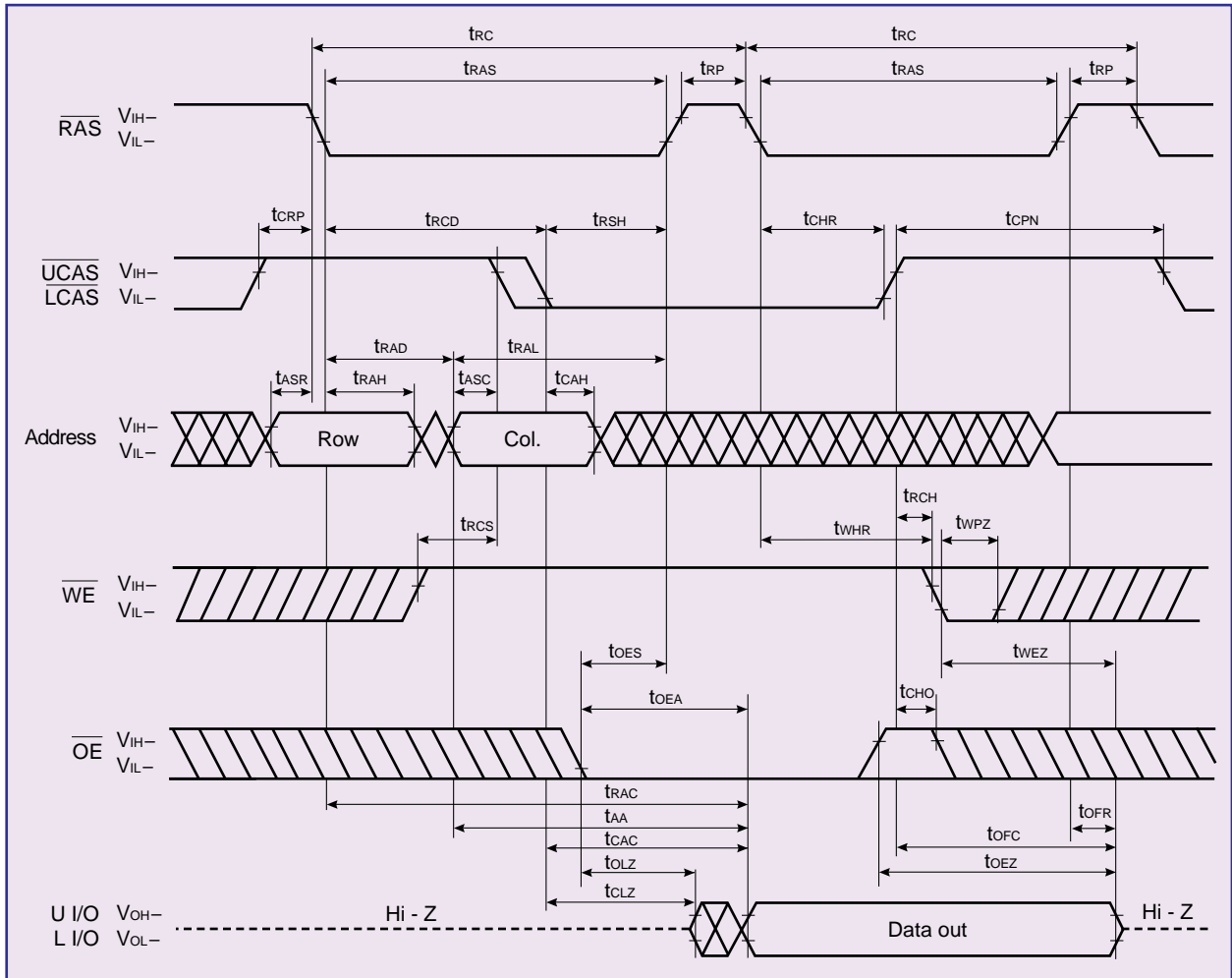
Remark Address, \overline{WE} , \overline{OE} : Don't care L I/O, U I/O: Hi-Z

RAS Only Refresh Cycle

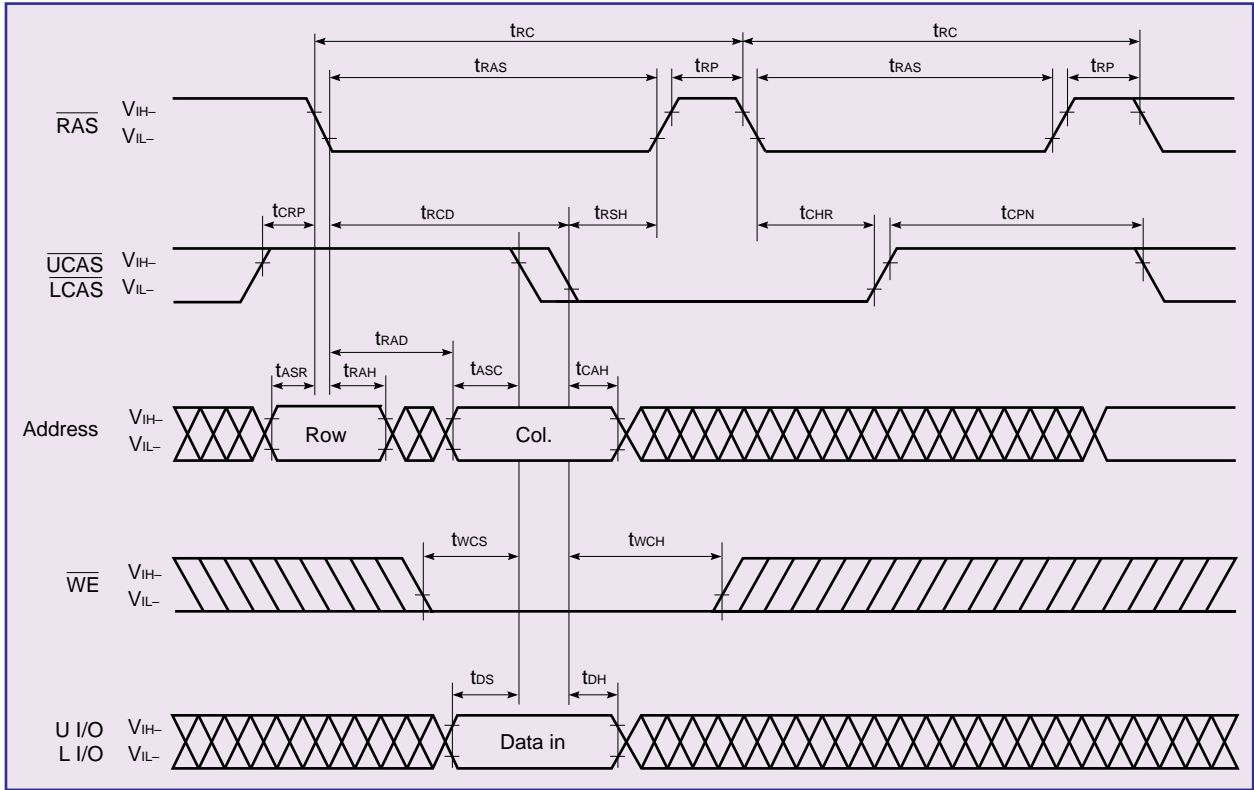


Remark \overline{WE} , \overline{OE} : Don't care L I/O, U I/O: Hi-Z

Hidden Refresh Cycle (Read)



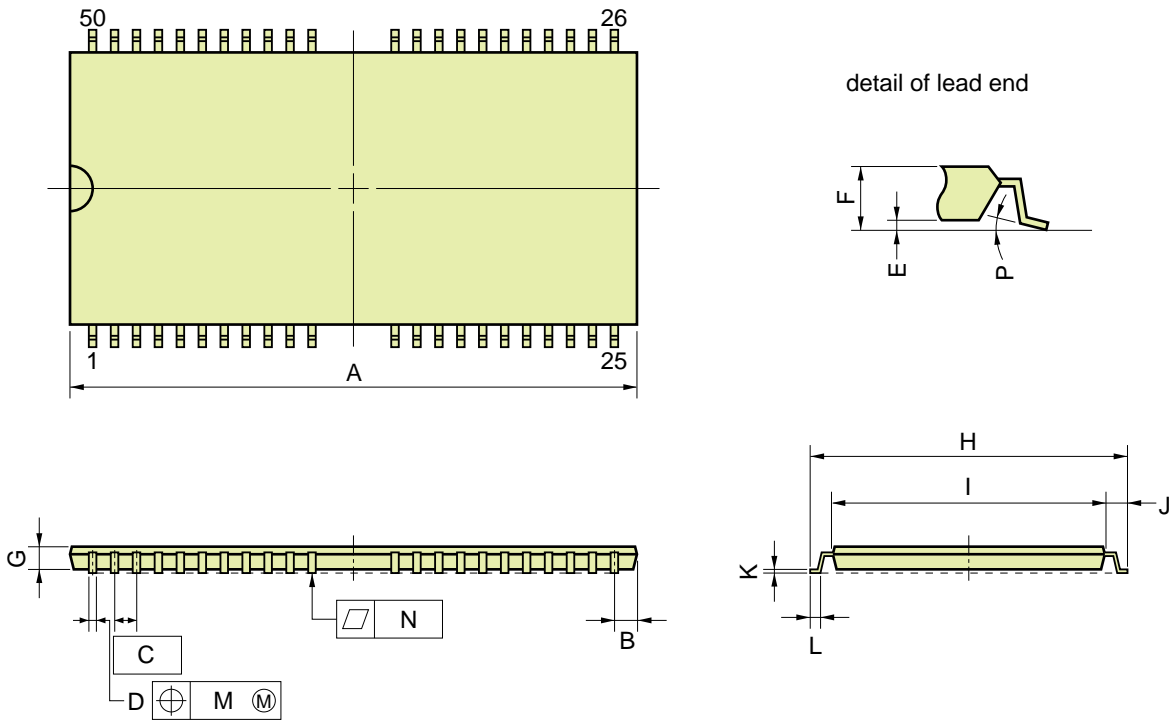
Hidden Refresh Cycle (Write)



Remark \overline{OE} : Don't care

Package Drawings

50PIN PLASTIC TSOP(II) (400 mil)



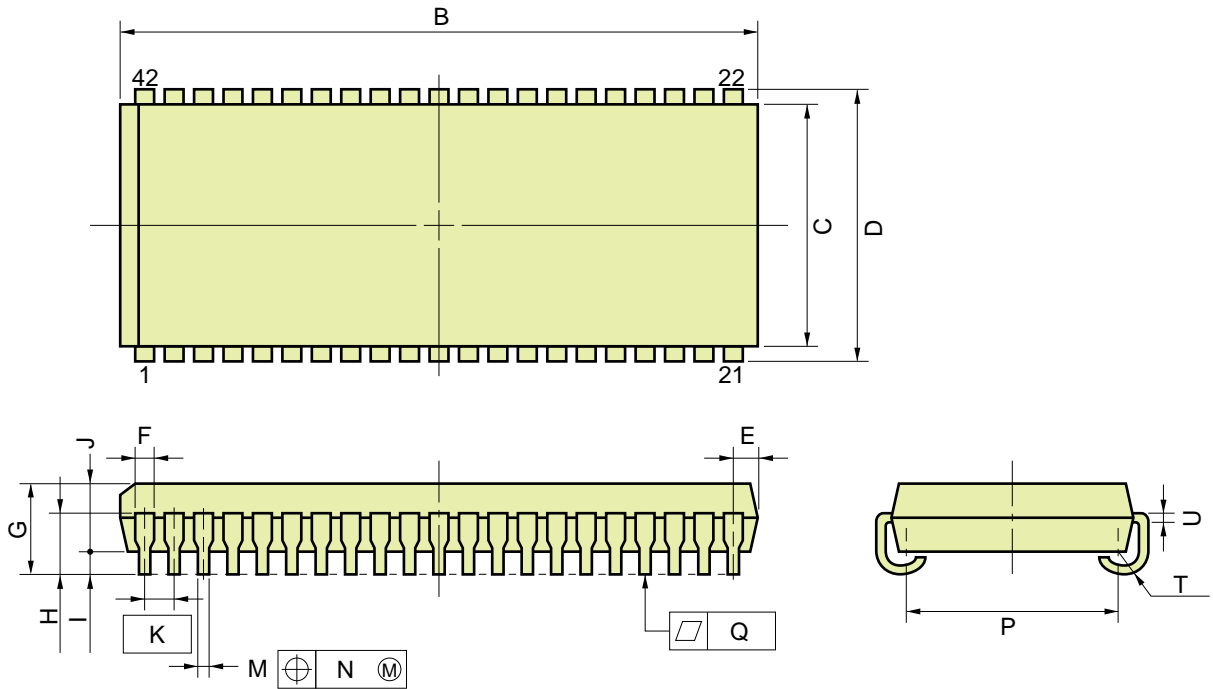
NOTE

Each lead centerline is located within 0.13 mm (0.005 inch) of its true position (T.P.) at maximum material condition.

ITEM	MILLIMETERS	INCHES
A	21.17 MAX.	0.834 MAX.
B	1.0 MAX.	0.040 MAX.
C	0.8 (T.P.)	0.031 (T.P.)
D	0.32 ^{+0.08} _{-0.07}	0.013±0.003
E	0.1±0.05	0.004±0.002
F	1.2 MAX.	0.048 MAX.
G	0.97	0.038
H	11.76±0.2	0.463±0.008
I	10.16±0.1	0.400±0.004
J	0.8±0.2	0.031 ^{+0.009} _{-0.008}
K	0.145 ^{+0.025} _{-0.015}	0.006±0.001
L	0.5±0.1	0.020 ^{+0.004} _{-0.005}
M	0.13	0.005
N	0.10	0.004
P	3° ^{+7°} _{-3°}	3° ^{+7°} _{-3°}

S50G5-80-7JF4

42 PIN PLASTIC SOJ (400 mil)



P42LE-400A

NOTE

Each lead centerline is located within 0.12 mm (0.005 inch) of its true position (T.P.) at maximum material condition.

ITEM	MILLIMETERS	INCHES
B	27.56 ^{+0.2} _{-0.35}	1.085 ^{+0.008} _{-0.014}
C	10.16	0.400
D	11.18±0.2	0.440±0.008
E	1.08±0.15	0.043 ^{+0.006} _{-0.007}
F	0.74	0.029
G	3.5±0.2	0.138±0.008
H	2.545±0.2	0.100±0.008
I	0.8 MIN.	0.031 MIN.
J	2.6	0.102
K	1.27 (T.P.)	0.050 (T.P.)
M	0.40±0.10	0.016 ^{+0.004} _{-0.005}
N	0.12	0.005
P	9.4±0.20	0.370±0.008
Q	0.10	0.004
T	R 0.85	R 0.033
U	0.20 ^{+0.10} _{-0.05}	0.008 ^{+0.004} _{-0.002}

Recommended Soldering Conditions

Please consult with our sales offices for soldering conditions of the μ PD42S18165, 4218165.

Types of Surface Mount Device

μ PD42S18165G5, 4218165G5: 50-pin plastic TSOP (II) (400 mil)

μ PD42S18165LE, 4218165LE: 42-pin plastic SOJ (400 mil)